

# TOPSTART BIODIESEL AND OIL (1, 2.7 KW)

The TopStart Biodiesel & Oil is an electrical preheating system with a circulation pump.

## BENEFITS

- Maintain oil viscosity
- Improve lubrication
- Improve cold starts and reduce wear

## APPLICATIONS

- Large engine gensets
- Large equipment



CE

## SPECIFICATIONS

### Heating Unit

- Aluminum heater housing
- PA66 electrical covers
- 4.9 ft (150 cm) power cable
- Heating element made of Incoloy 800

### Circulating Pump

- Flow rate: 25L/min at 6 bar (6.6 gpm at 87 PSI)

### Regulating Thermostat

- 32-104°F (0-40°C)

### Safety Thermostat

- Safety thermostat with manual re-set option and 25A cutout rating, 6000 cycles (60°C/140°F or 110°C/230°F)

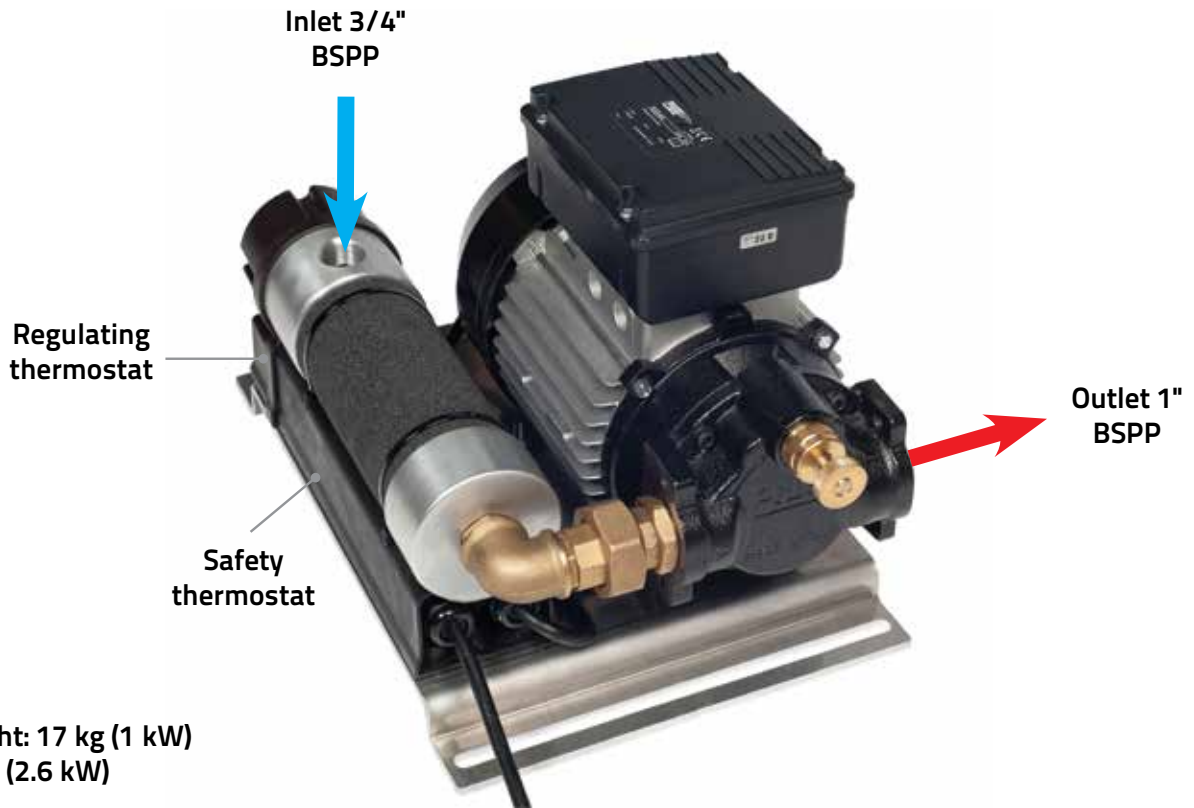
### Available Power

- 1-3 kW
- 120, 230 V

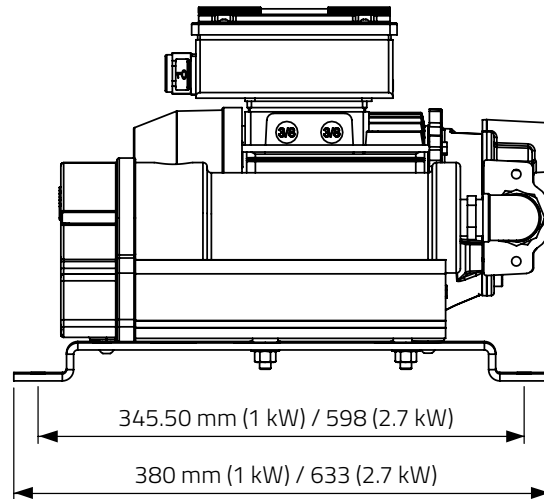
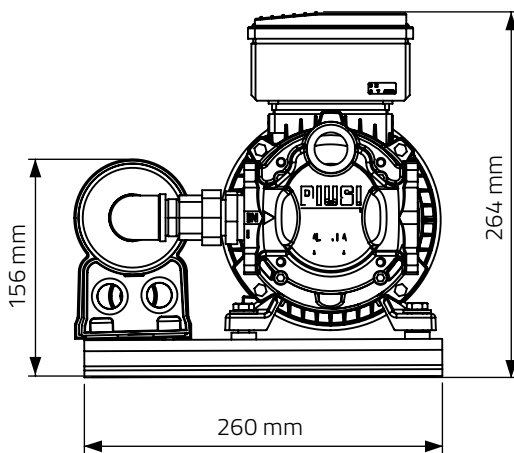
**PHILLIPS & TEMRO**  
*industries*<sup>®</sup>

phillipsandtemro.com

# TOPSTART BIODIESEL AND OIL (1, 2.7 KW)



## DIMENSIONS



# TOPSTART BIODIESEL AND OIL (1, 2.7 KW)

## PARTS LIST: CE CERTIFIED

Part Number	Hertz	Volts	Phase	Watts	Regulating Thermostat	Safety Thermostat	Certifications	Plug Type
TSDP 6012011000MC	50-60	120	1	1000	0-80°C	110°C (230°F) with manual reset	CE	CEE 7/7 or hard wire
TSDP 5023011000MC	50-60	230	1	1000	0-80°C	110°C (230°F) with manual reset	CE	CEE 7/7 or hard wire